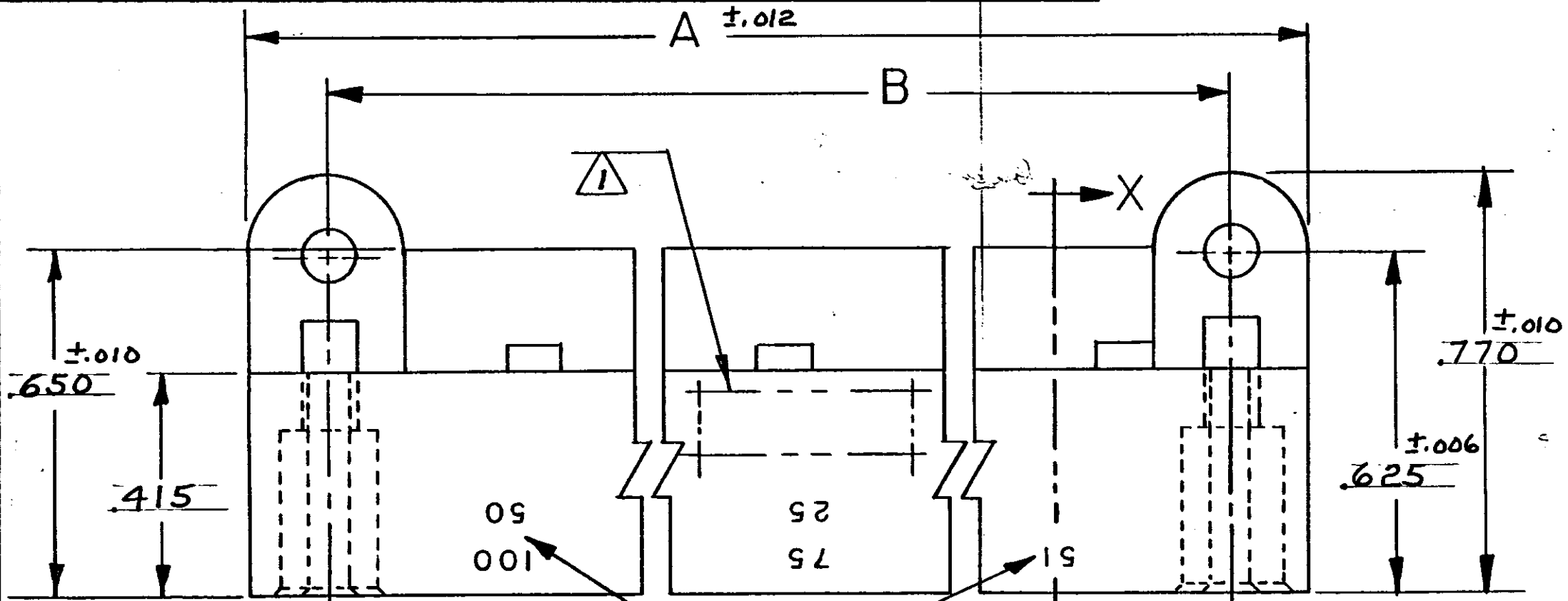
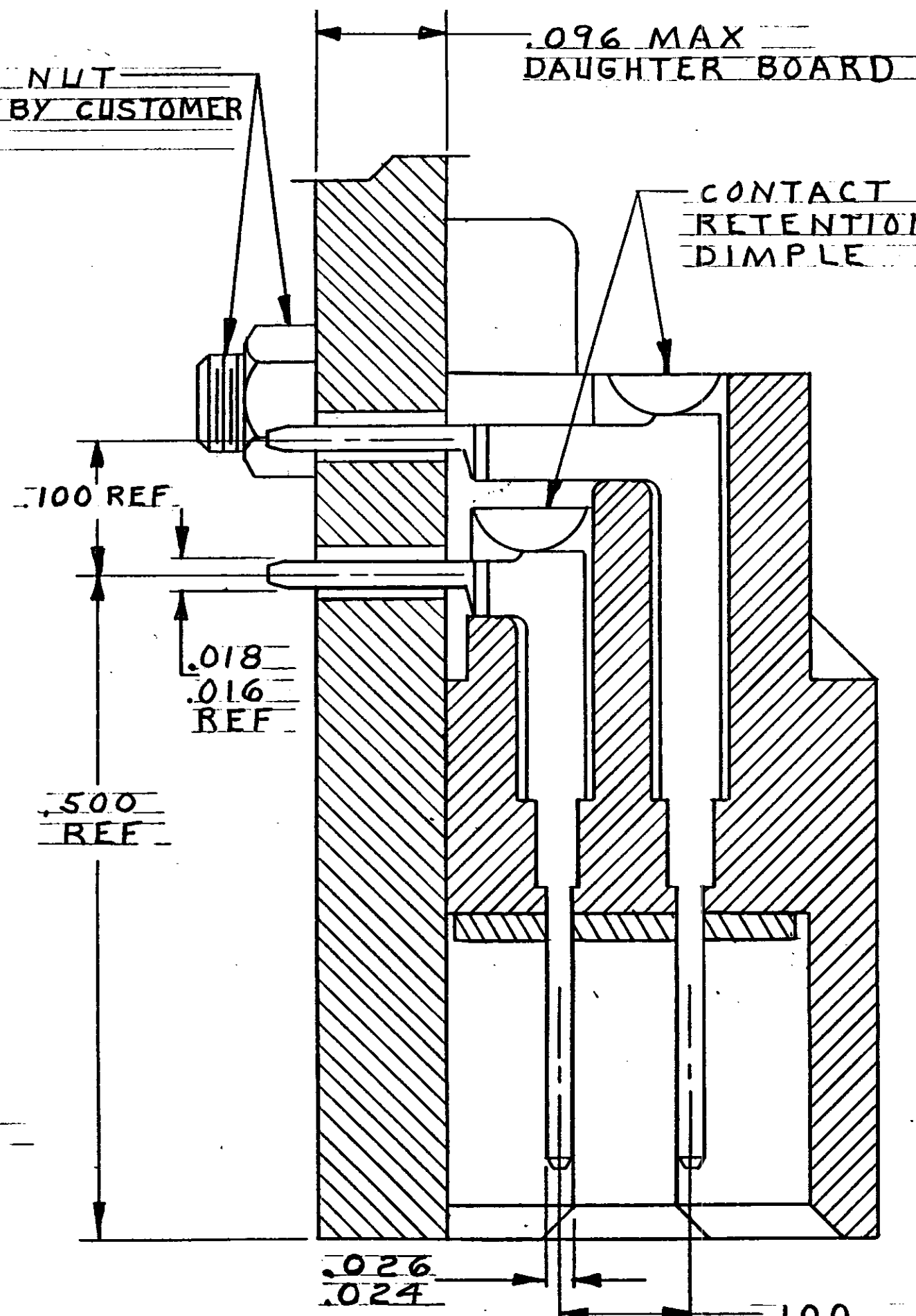


THIS DRAWING IS UNPUBLISHED. RELEASED FOR PUBLICATION 19  
© COPYRIGHT 19 BY AMP INCORPORATED, HARRISBURG, PA. ALL INTERNATIONAL RIGHTS RESERVED. AMP PRODUCTS MAY BE COVERED BY U.S. AND FOREIGN PATENTS AND/OR PATENTS PENDING.

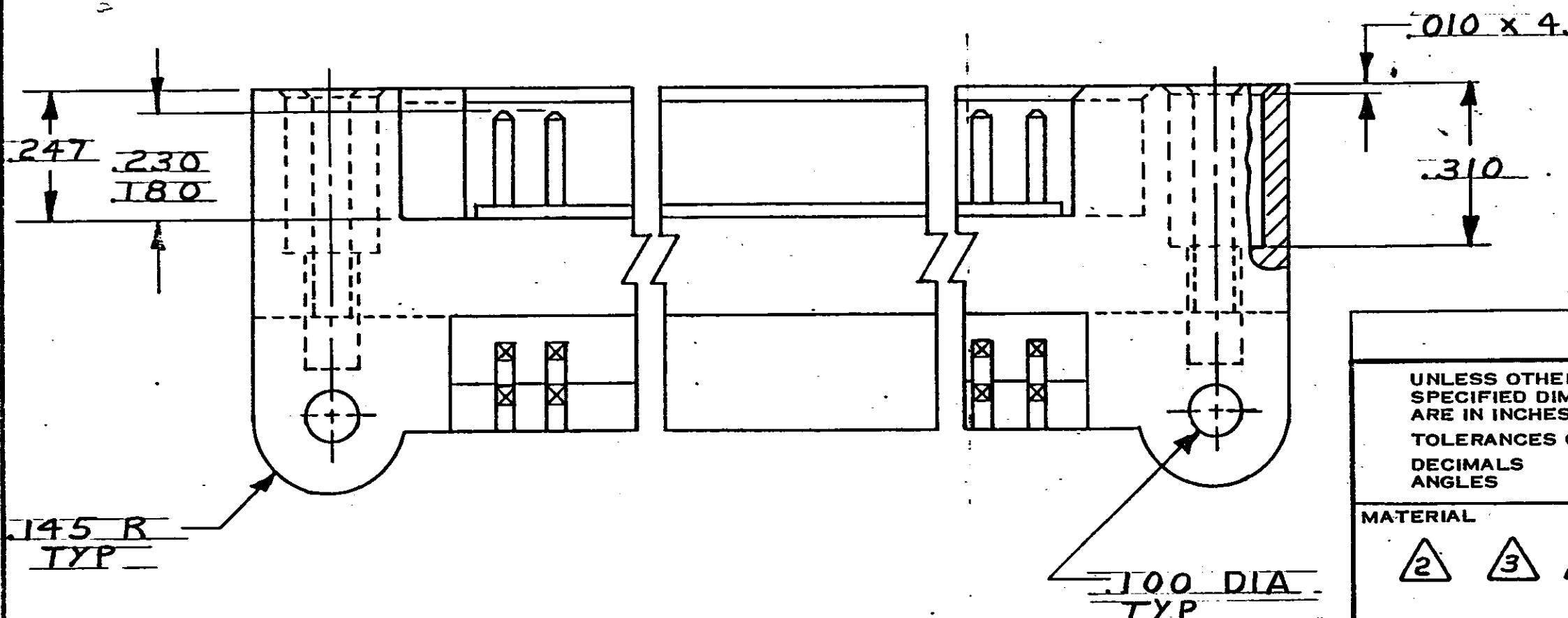
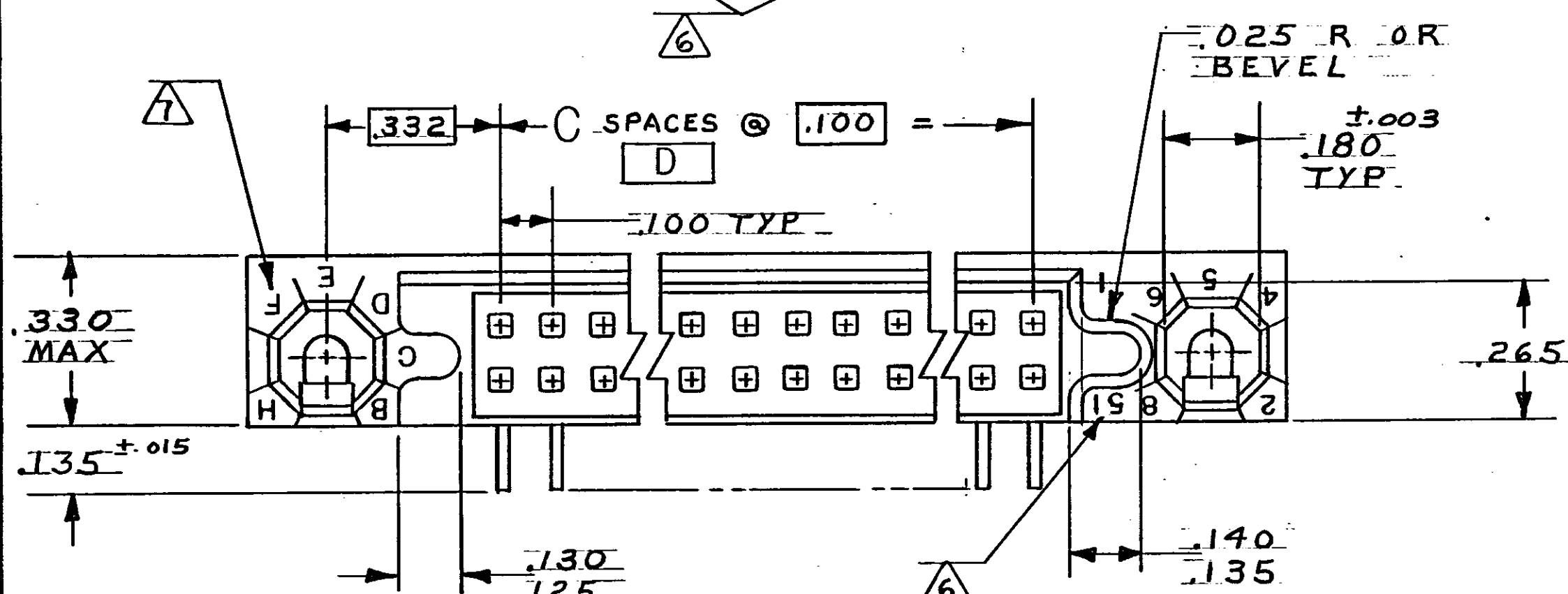
REVISIONS						
P	F	ZONE	LTR	DESCRIPTION	DATE	APPROVED
			J	ECO-08-020831	PY 10-08	BW



BOLT AND NUT SUPPLIED BY CUSTOMER



SECTION X-X  
SCALE 10:1



UNLESS OTHERWISE SPECIFIED DIMENSIONS ARE IN INCHES. TOLERANCES ON: DECIMALS ±.005 ANGLES	CONTRACT NO	AMP   AMP INCORPORATED Harrisburg, Pa. 17105	
	DR <i>M. Smith</i> 10-28-81	NAME BOX CONNECTOR, PIN ASSY, RIGHT ANGLE, 100I SERIES, W/GASKET	
MATERIAL	CHR <i>W. Hitchard Jr</i> 12-16-81	SIZE C	FSCM NO 00779
FINISH	APPD <i>W. Hitchard Jr</i> 12-16-81	DRAWING NO 531722	REV J
	APPD <i>ST. Parsons</i> 12-22-81	SCALE 4:1	SHEET 1 OF 2
	DSGN APPD	PART NO	
	OTHER APPD		

CUSTOMER DRAWING

531722

THIS DRAWING IS UNPUBLISHED. RELEASED FOR PUBLICATION, 19  
 © COPYRIGHT 19 BY AMP INCORPORATED, HARRISBURG, PA. ALL INTERNATIONAL RIGHTS RESERVED. AMP PRODUCTS MAY BE COVERED BY U.S. AND FOREIGN PATENTS AND/OR PATENTS PENDING.

P		F		ZONE		LTR		DESCRIPTION	DATE	APPROVED
✓	✓							SEE SHT 1		

D

C

B

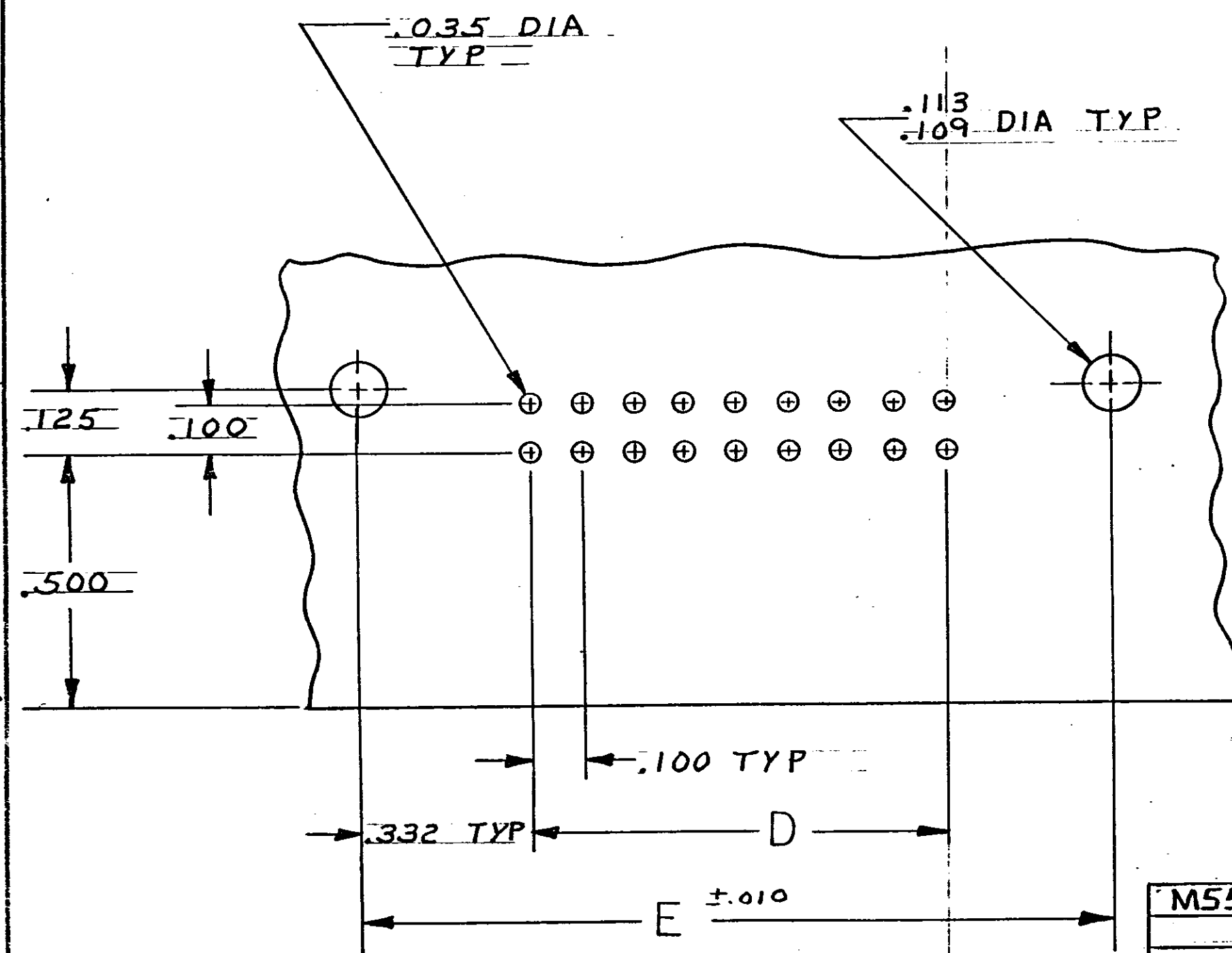
A

D

C

B

A



RECOMMENDED P C BOARD LAYOUT

- ① AMP, 00779, PART NUMBER; DATE CODE AND MILITARY PART NO. TO BE MARKED IN THIS APPROX AREA.
- ② HOUSING: GLASS FILLED POLYESTER COLOR - BLUE
- ③ CONTACT: BRASS FINISH: .000050 GOLD OVER NICKEL IN CONTACT AREA, TIN LEAD OVER NICKEL ON CONTACT TAILS.
- ④ GASKET: SILICONE RUBBER.
- ⑤ MIL-C-55302 GROUP A INSPECTION REQUIRED.
- ⑥ NUMBERS INDICATING EVERY FIVE CAVITIES MARKED ON SIDE, NUMBERS INDICATING END CAVITIES MARKED ON MATING FACE
- ⑦ KEY POSITION IDENTIFICATION MOLDED ON SURFACE SHOWN.
- ⑧ OBSPART NO.

M55302/110-35	1 - 71	7.565	6.900	69	7.565	7.855	140	1-531722-3
	-34	1 - 68	7.265	6.600	66	7.265	7.555	134
	-33	1 - 66	7.065	6.400	64	7.065	7.355	130
	-32	1 - 61	6.565	5.900	59	6.565	6.855	120
	-27	1 - 56	6.065	5.400	54	6.065	6.355	110
	-26	1 - 51	5.565	4.900	49	5.565	5.855	100
	-25	1 - 46	5.065	4.400	44	5.065	5.355	90
	-24	1 - 41	4.565	3.900	39	4.565	4.855	80
	-23	1 - 36	4.065	3.400	34	4.065	4.355	70
	-22	1 - 31	3.565	2.900	29	3.565	3.855	60
	-21	1 - 26	3.065	2.400	24	3.065	3.355	50
	-20	1 - 21	2.565	1.900	19	2.565	2.855	40
M55302/110-19	1 - 16	2.065	1.400	14	2.065	2.355	30	531722-1
MILITARY PART NUMBER	CONTACT IDENT NO.	E	D	C	B	A	NO. OF POSITION	PART NO

UNLESS OTHERWISE SPECIFIED DIMENSIONS ARE IN INCHES. TOLERANCES ON: DECIMALS ±.005 ANGLES ±	CONTRACT NO		AMP   AMP INCORPORATED Harrisburg, Pa. 17105	
	DR <i>M. Smith</i> 10-29-81			
	MATERIAL		NAME BOX CONNECTOR, PIN ASSY, RIGHT ANGLE, 100I SERIES, W/GASKET	
	② ③ ④ FINISH ③		SIZE C FSCM NO 00779 DRAWING NO 531722 REV J SCALE 4:1 SHEET 2 of 2	

531722